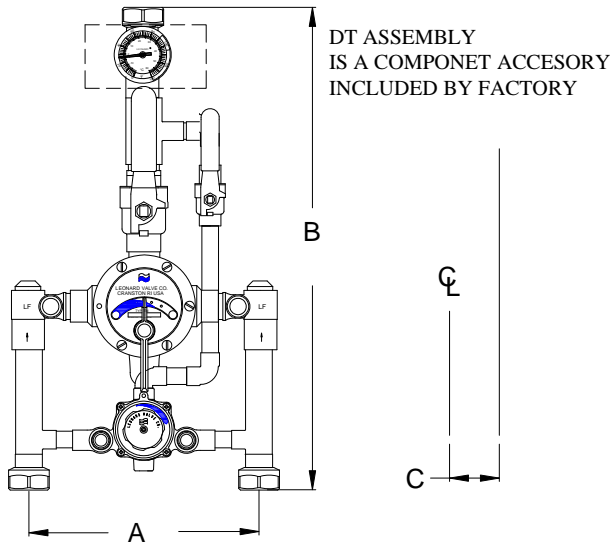


# NEXT GENERATION HIGH LOW SYSTEM

## ECO-MIX™

Submittal Data Sheet S-1233J-LF  
August, 2018

### TM-1520B-LF-DT-\_\_\_\_\_



A=12" +/- 1/2" B=25 1/4" C=2 5/8"

- Large Type TM Thermostatic water mixing valve, adjustable high temperature limit stop\*, inlet checkstops, wall support, outlet ball valve
- Small Type TM Thermostatic water mixing valve, adjustable high temperature limit stop\*, inlet checkstops, outlet ball valve
- Maximum operating pressure: 125 PSI (860 KPA)
- 1 1/4" inlets, 1 1/2" outlet (32mm X 38mm)
- 1 GPM (3.7 l/min) minimum flow capacity
- Color-coded dial thermometer (0 to 140°F, -10 to 60°C)
- Inlet manifold piping
- Locking temperature regulators
- Factory assembled and tested

**This product is certified to meet Low Lead requirements of wetted surface area containing less than 0.25% lead by weight. All other component accessories, the sum total of which comprise the wetted surface area of this product, contain less than one quarter of one percent lead by weight.**

#### OPTIONS:

- \_\_\_ SUFFIX CP – Chrome plated (Material finish may vary)
- \_\_\_ SUFFIX IT – Inlet Thermometers (shipped loose)
- \_\_\_ SUFFIX TC – Test connection (shipped loose)
- \_\_\_ SUFFIX HT – High temperature thermometer (20 to 240°F, -6 to 115°C)

Valve assembly is ASSE 1017 Certified



Valve assembly is CSA Certified



MINIMUM FLOW (GPM) (l/min)	SYSTEM PRESSURE DROP (PSIG)										PSI BAR
	5	10	15	20	25	30	35	40	45	50	
	,3	.7	.97	1.4	1.7	2.1	2.4	2.8	3.1	3.4	
1.0 (3.7)	48	65	80	95	112	120	130	140	158	165	GPM l/min
	182	246	303	360	424	454	492	530	598	625	

+NOTE: The valve will maintain temperature with 0.5GPM flow from the domestic hot water loop when properly installed near the hot water source with a continuously operating recirculation pump.

NOTE: Flowrates will vary depending on existing field conditions. Leonard Valve Company always recommends using CASPAK® sizing software for proper valve sizing and model number applications.

**CAUTION!** All thermostatic water mixing valves have limitations. They will NOT provide the desired accuracy outside of their flow capacity range. Consult the Flow Capacity Chart and DO NOT OVERSIZE. Minimum flow must be no less than as indicated.

Note: Leonard Valve Company reserves the right of product, or design modifications without notice or obligation.

\*NOTE: A limit stop, set for 120°F (49°C), is simply a mechanical setting to prevent excessive handle rotation. If incoming water is hotter than 150°F (65.5°C), the temperature of the factory test, the valve when turned to full HOT may deliver water in excess of 120°F and the limit stop MUST BE RESET BY THE INSTALLER

**Engineer's Approval**

Job # \_\_\_\_\_

Arch/Eng. \_\_\_\_\_

Contractor \_\_\_\_\_

Note: The models shown represent Leonard Products which are believed to be equivalent in type and function to items specified. Leonard Valve Company is not responsible for errors or omissions due to differences in interpretations of information provided.



**WARNING:** This product can expose you to chemicals including lead, which is known to the State of California to cause cancer. For more information, go to [www.P65Warnings.Ca.gov](http://www.P65Warnings.Ca.gov)



1360 Elmwood Avenue, Cranston, RI 02910 USA

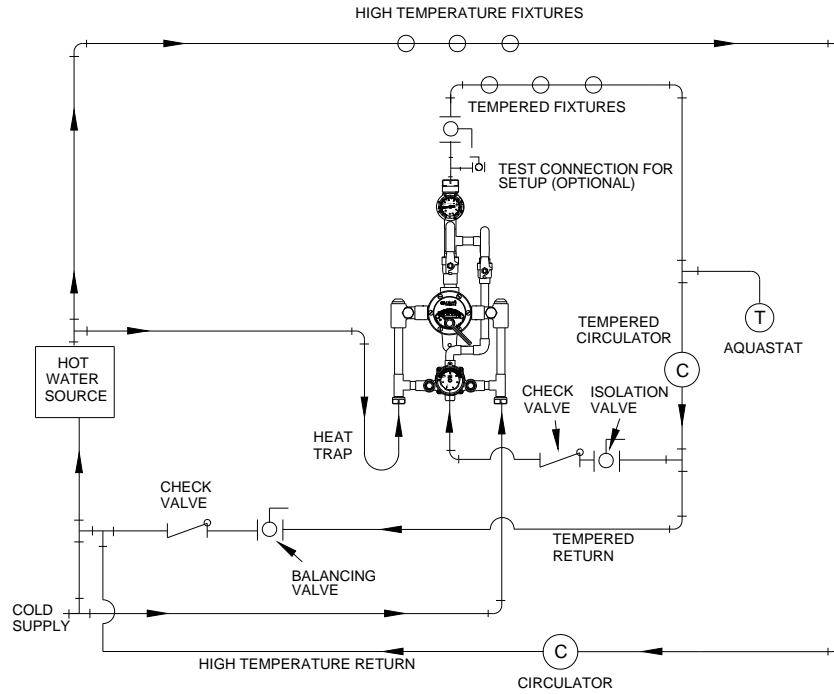
Phone: 401.461.1200 Fax: 401.941.5310

Email: [info@leonardvalve.com](mailto:info@leonardvalve.com)

Web Site: <http://www.leonardvalve.com>

**PIPING METHOD #2**, only for systems circulating 8 GPM or less. See Method #5 for circulated flow rates above 8 GPM.

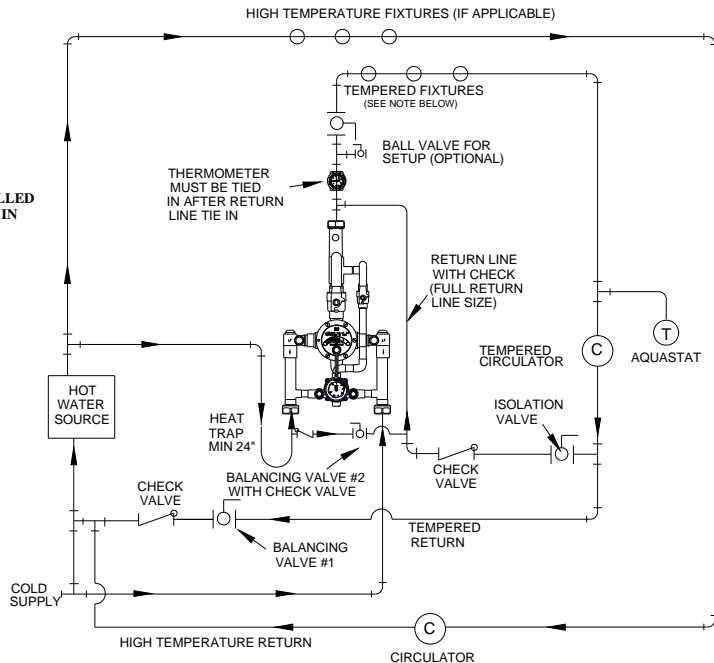
**PIPING METHOD #2**



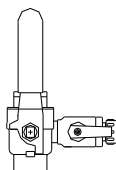
**PIPING METHOD #5**

**THERMOMETER ON VALVE MAY NEED TO BE REMOVED (AND PORT PLUGGED) AND REINSTALLED AFTER RETURN LINE TIE IN**

**NOTE:**  
FOR MULTIPLE TEMPERED LOOPS, A BALANCING VALVE AND CHECK VALVE MUST BE INSTALLED ON EACH LOOP AFTER TEMPERED FIXTURES



**(OPTIONAL) TEST CONNECTION**



1360 Elmwood Avenue, Cranston, RI 02910 USA  
 Phone: 401.461.1200 Fax: 401.941.5310  
 Email: [info@leonardvalve.com](mailto:info@leonardvalve.com)  
 Web Site: <http://www.leonardvalve.com>